

## DC/DC POWER CONDITIONER 852 SERIES



# 1500W DC/DC POWER CONDITIONER

DRS Pivotal Power's 1500W DC/DC power conditioner is designed to operate from the vehicle's 28 VDC bus to provide clean and stable 28 VDC output power to downstream equipment. In particular, the DC/DC power conditioner is designed to isolate and protect the connected equipment from transients, spikes and surges as established in MIL-STD-1275D.

The DC/DC power conditioner provides a current limited power output of 1500W; as well as a factory adjustable input current limit that can be increased to allow up to 1750W of output power.

The power conditioner also acts as a UPS, using super capacitors to provide a minimum of 20 seconds of holdup at 1140W. The super capacitors have a maintenance free life span of 10 years, minimizing the operation and maintenance costs typically required with lead acid batteries.

### Highlights

- High reliability design
- MIL-STD-1275D compliant
- Long life, zero maintenance energy storage
- Single 28 VDC input, single 28 VDC output
- Available "output voltage present" signal on output connector
- Small footprint; easily transportable configuration



# 1500W DC/DC POWER CONDITIONER

## ELECTRICAL INPUT

Voltage	16-40 VDC (28 VDC nominal)
Current	55A nominal, 60A maximum
Connection	Circular Mil, MS3102R20-13P

## ELECTRICAL OUTPUT

Voltage	28.5 + 2% VDC
Output Power	1500W with hold-up
Power Limiting	1750W
Voltage Regulation	< + 0.5% for steady state operation
Load Regulation	< 2% no load to full load
Output Ripple	<20mV rms; <400mV peak-peak
Output Connection	Circular Mil, MS3102R20-155

## STATUS MONITORING

Lamp Indicator	Red/green LED status indication
----------------	---------------------------------

## ENVIRONMENTAL

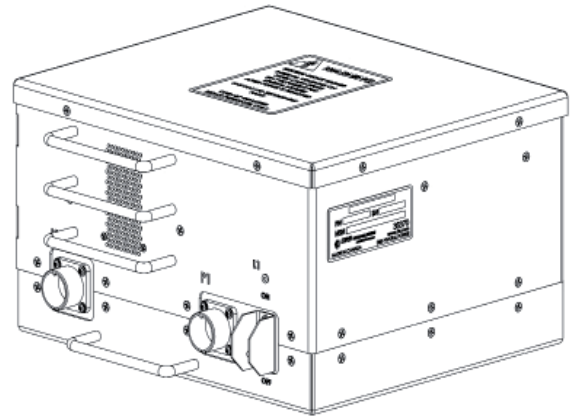
Operating Temperature	-32°C to +49°C / 0°F to +120°F
Storage Temperature	-51°C to +71°C / -60°F to +160°F
Vibration	MIL-STD-810G, method 514.6
Shock Resistance	MIL-S-901D
Humidity	0%-95% non-condensing
IP Rating	IP-32

## PHYSICAL CHARACTERISTICS

Dimensions	14 L x 12 W x 8 H inches 356 L X 305 W X 203H mm
Weight	37.5 lbs, 17 kg
Cooling	Forced air
On/Off Switch	On/off switch with internal fuse

## BACKUP

Internal Back-up Medium	Super capacitors
Super Capacitor Life Rating	10 years
Backup Rating	20 Seconds @1140W @25°C (77°F)



## ADDITIONAL INFORMATION

Part Number	NSN
852-01-01	6130-01-661-6647
Cage Code	38370